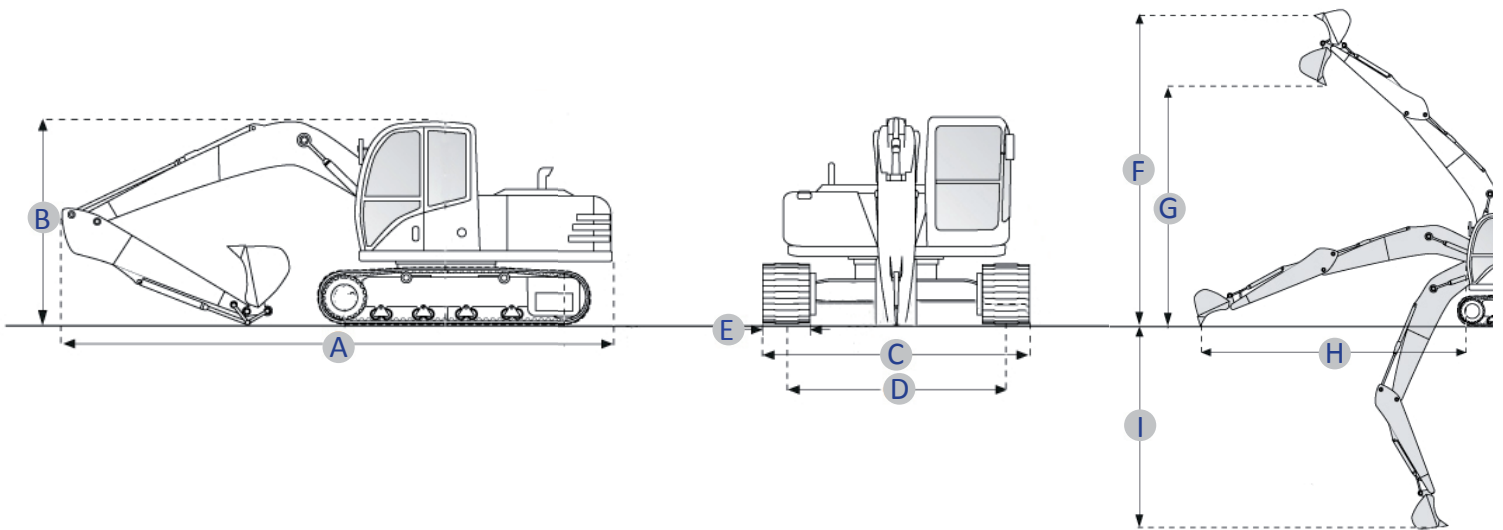


Product Specifications:

JCB JS130

Operating Weight: 13480 kg



Dimensions

A	Overall Length	25 ft	7630 mm
B	Overall Height	9.6 ft in	2900 mm
C	Overall Width	8.2 ft in	2490 mm
D	Track Gauge	6.6 ft in	1990 mm
E	Shoe Size	500 mm	

Working Range

F	Max Digging Height	31.9 ft in	9700 mm
G	Max Dump Height	24.1 ft in	7350 mm
H	Max Reach on Ground	28.2 ft in	8600 mm
I	Max Digging Depth	28.7 ft in	8720 mm

Engine

Gross Power	96.6 hp
Emissions Level	Tier 3 compliant

Service Capacities

Fuel Capacity	42.7 gal	195 L
Cooling System Fluid Capacity	2.5 gal	12.4 L
Hydraulic System Fluid Capacity	15.1 gal	69 L
Engine Oil Capacity	2.3 gal	11 L