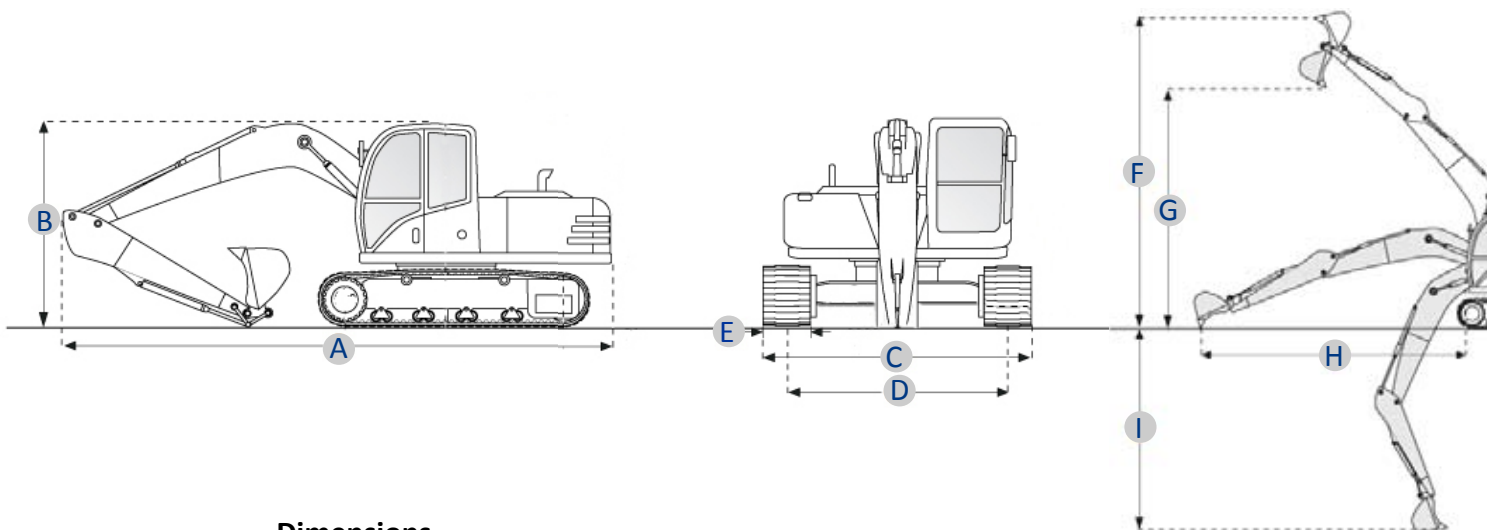


Product Specifications:

Komatsu PC290-10

Operating Weight: 30300 kg



Dimensions

A	Overall Length	33.4 ft in	10185 mm
B	Overall Height	10.5 ft in	3180 mm
C	Overall Width	10.9 ft in	3290 mm
D	Track Gauge	8.5 ft in	2590 mm
E	Shoe Size	700 mm	

Working Range

F	Max Digging Height	33.11 ft in	10345 mm
G	Max Dump Height	24.2 ft in	7370 mm
H	Max Reach on Ground	34.3 ft in	10455 mm
I	Max Digging Depth	22.8 ft in	6915 mm

Engine

Gross Power	213 hp
Emissions Level	EU Stage IIIB

Undercarriage

Number of Carrier Rollers Per Side	2
Number of Track Rollers Per Side	8

Service Capacities

Fuel Capacity	87.7 gal	400 L
Cooling System Fluid Capacity	7.7 gal	36 L
Hydraulic System Fluid Capacity	29 gal	132 L
Engine Oil Capacity	5 gal	23.1 L

Specifications taken from 3.2m length arm
additional lengths available.

For more information contact our team:

01948 842 120