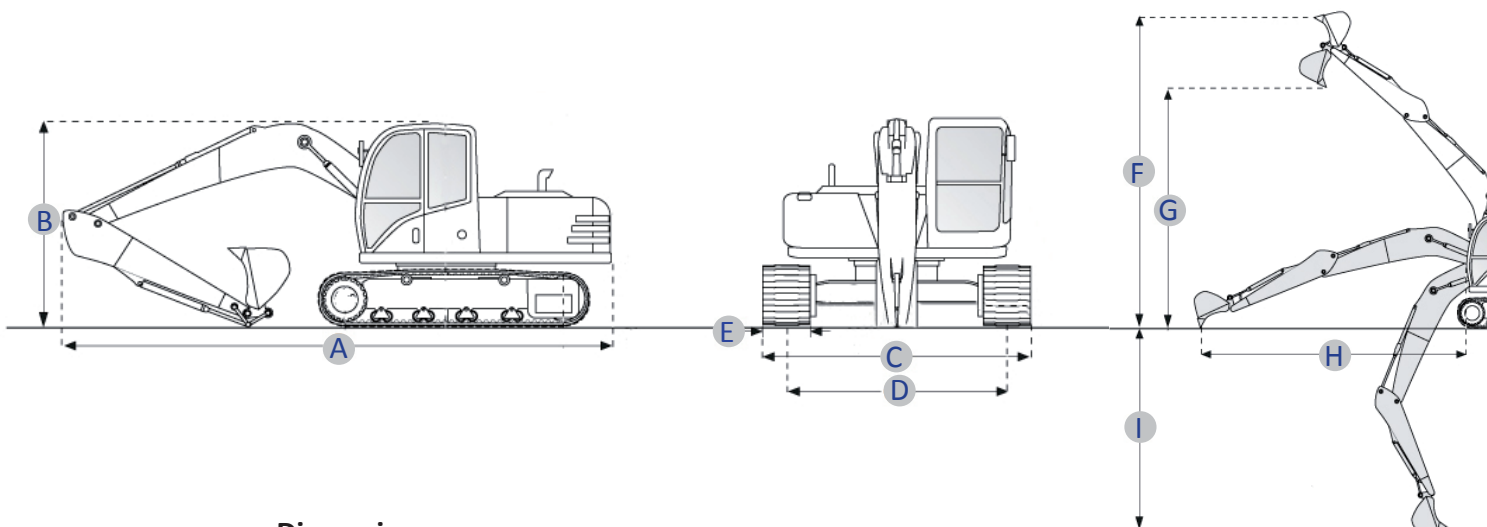


Product Specifications:

Komatsu PC450LC-10

Operating Weight: 22620 kg



Dimensions

A	Overall Length	39.6 ft	12040 mm
B	Overall Height	12 ft	3660 mm
C	Overall Width	11.3 ft in	3430 mm
D	Track Gauge	9 ft	2740 mm
E	Shoe Size	600 mm	

Working Range

F	Max Digging Height	35.10 ft in	10925 mm
G	Max Dump Height	25 ft	7625 mm
H	Max Reach on Ground	38.9 ft in	11800 mm
I	Max Digging Depth	25.7 ft in	7790 mm

Engine

Gross Power	362 hp
Emissions Level	EU Stage IIIA

Undercarriage

Number of Carrier Rollers Per Side	2
Number of Track Rollers Per Side	8

Service Capacities

Fuel Capacity	142.7 gal	650 L
Cooling System Fluid Capacity	7.7 gal	36 L
Hydraulic System Fluid Capacity	54.4 gal	248 L
Engine Oil Capacity	8.1 gal	37 L

For more information contact our team:

01948 842 120