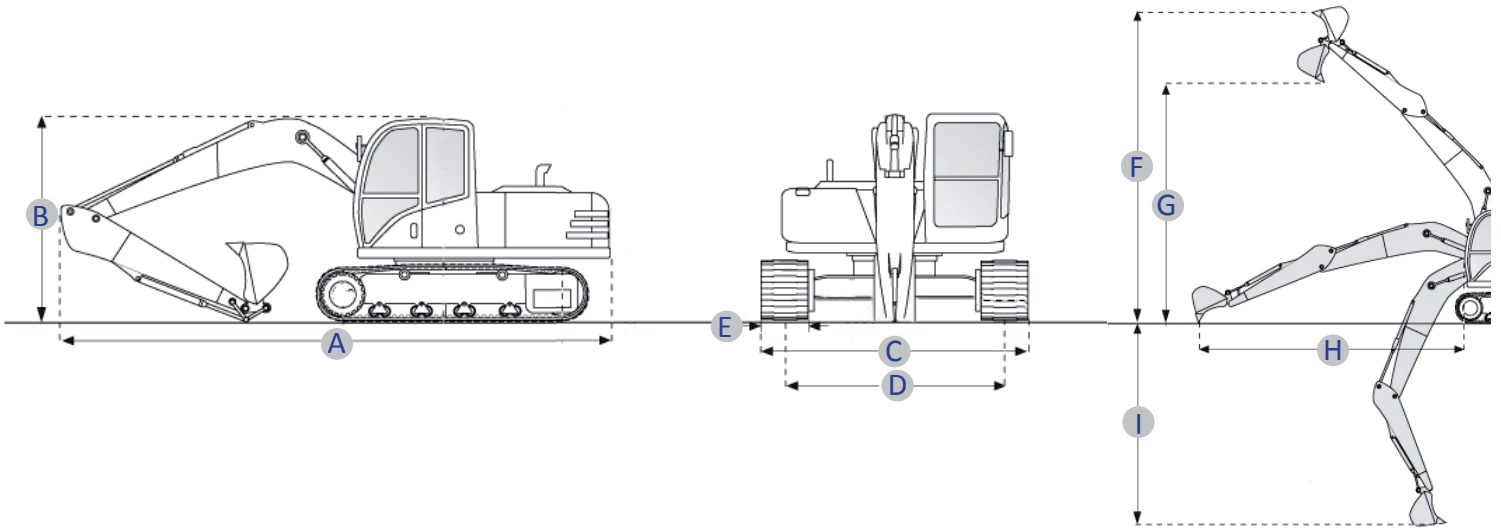


## Product Specifications:

# Komatsu PC80

Operating Weight: 8000 kg



### Dimensions

A	Overall Length	19.10 ft in	6060 mm
B	Overall Height	9.2 ft in	2800 mm
C	Overall Width	7.4 ft in	2250 mm
D	Track Gauge	7.4 ft in	2240 mm
E	Shoe Size	450 mm	

### Working Range

F	Max Digging Height	21.4 ft in	6520 mm
G	Max Dump Height	15.2 ft in	4631 mm
H	Max Reach on Ground	22.9 ft in	6958 mm
I	Max Digging Depth	14.3 ft in	4350 mm

### Engine

Gross Power	63.6 hp
Emissions Level	

### Service Capacities

Fuel Capacity	24.1 gal	110 L
Cooling System Fluid Capacity	3.7 gal	18 L
Hydraulic System Fluid Capacity	14.2 gal	65 L
Engine Oil Capacity	2.5 gal	12.5 L