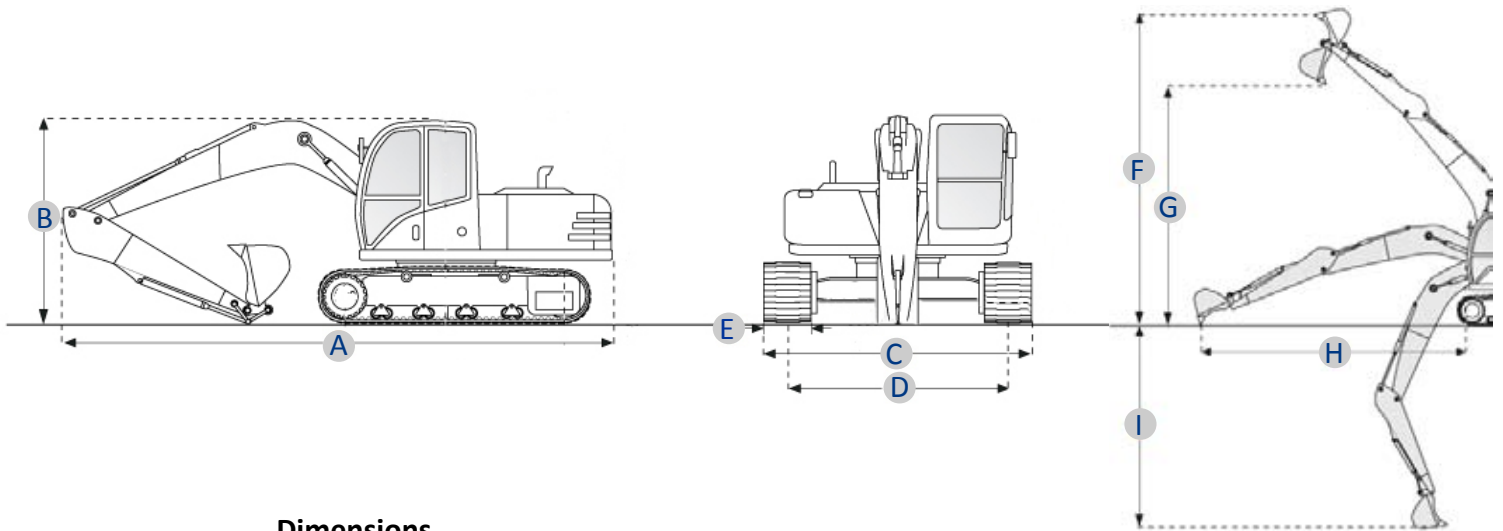


Product Specifications:

Komatsu HB215LC-2

Operating Weight: 22580 kg



Dimensions

A	Overall Length	31.6 ft in	9625 mm
B	Overall Height	9.11 ft	3045 mm
C	Overall Width	9.9 ft in	2980 mm
D	Track Gauge	7.9 ft in	2380 mm
E	Shoe Size	600 mm	

Working Range

F	Max Digging Height	32.9 ft in	10000 mm
G	Max Dump Height	23.3 ft in	7110 mm
H	Max Reach on Ground	31.9 ft	9700 mm
I	Max Digging Depth	21.8 ft in	6620 mm

Engine

NET Power	148 hp
Emissions Level	EU Stage IIIB

Undercarriage

Number of Carrier Rollers Per Side	2
Number of Track Rollers Per Side	9

Service Capacities

Fuel Capacity	87.7 gal	400 L
Cooling System Fluid Capacity	5 gal	23 L
Hydraulic System Fluid Capacity	29 gal	132 L
Engine Oil Capacity	3.7 gal	18 L

For more information contact our team:

01948 842 120