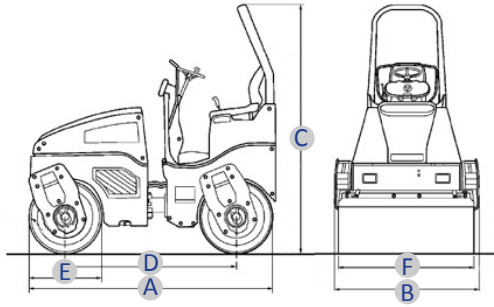


# Product Specifications: JCB VMT 260-120



## Dimensions

A	Overall Length	8.2 ft in	2490 mm
B	Overall Width	4.2 ft in	1280 mm
C	Height to top of ROPS	8.1 ft in	2480 mm
D	Wheelbase	5.6 ft in	1700 mm
E	Drum Diameter	2.3 ft in	700 mm
F	Drum Width	3.11 ft in	1200 mm

## Operational

Nominal Weight	5952 lb	2700 kg
Operating Weight	5798.1 lb	2630 kg
Max Operating Weight	6724 lb	3050 kg

## Service Capacities

Fuel Capacity	20.7 gal	95 L
Sprinkler Water	50.4 gal	230 L